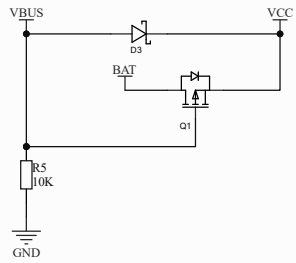
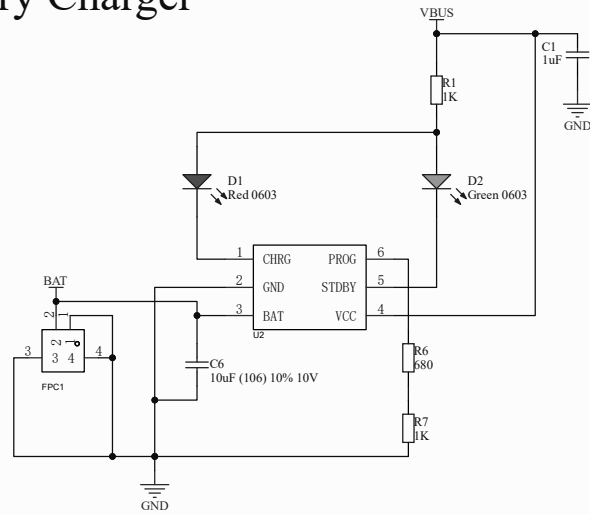


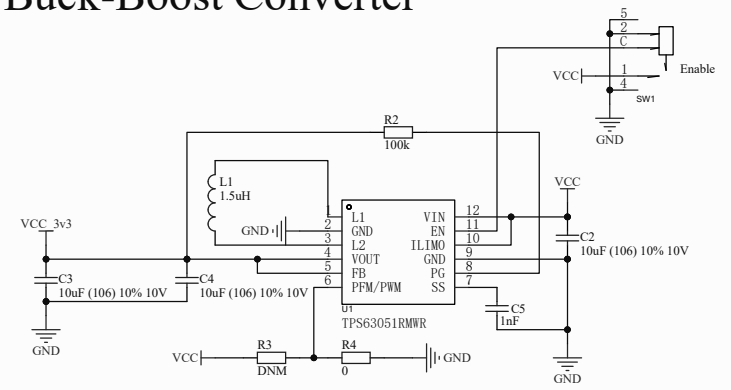
Type C / Battery Power Switching



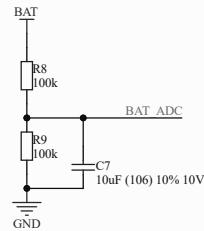
Battery Charger



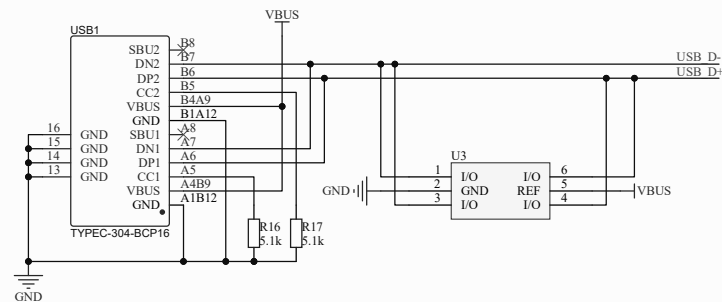
Buck-Boost Converter



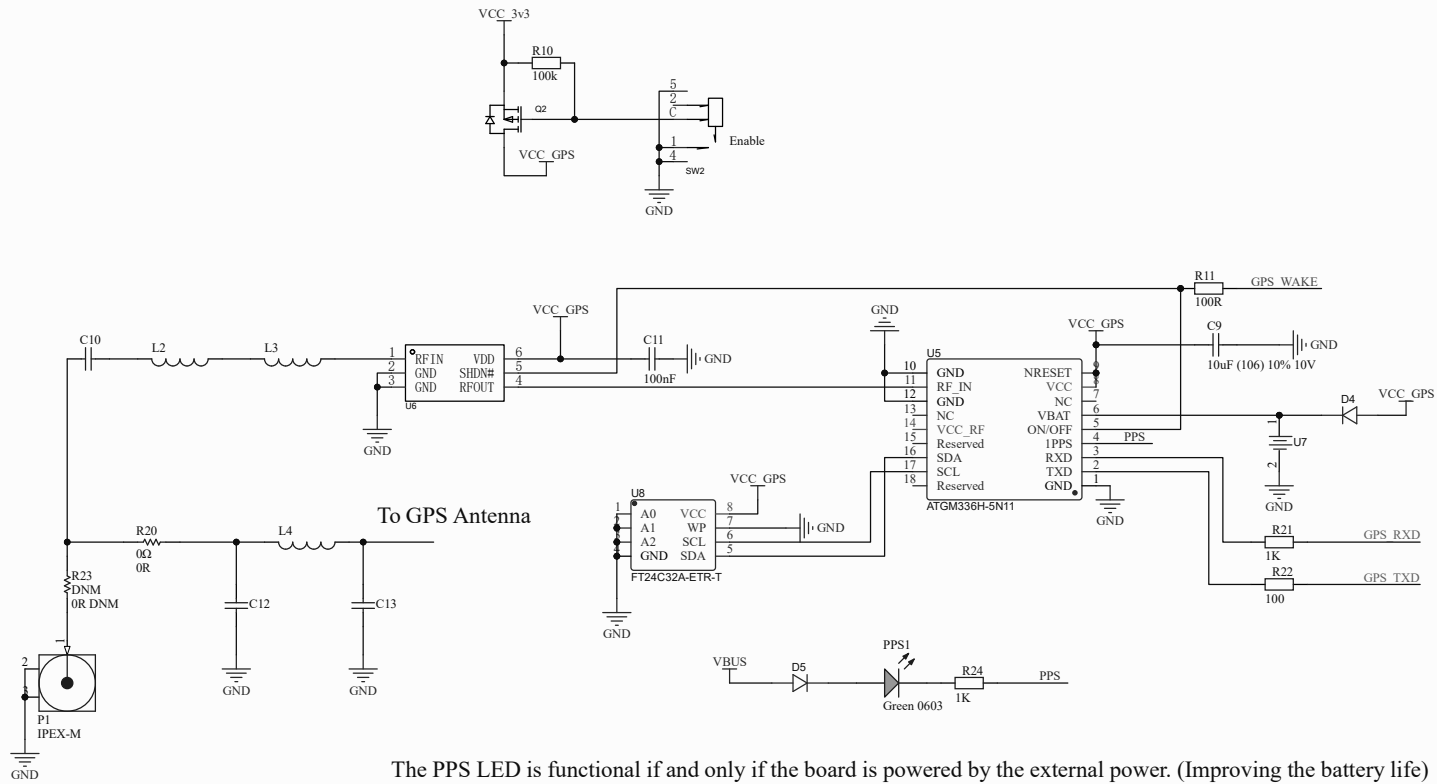
Battery Gauge



USB Type C

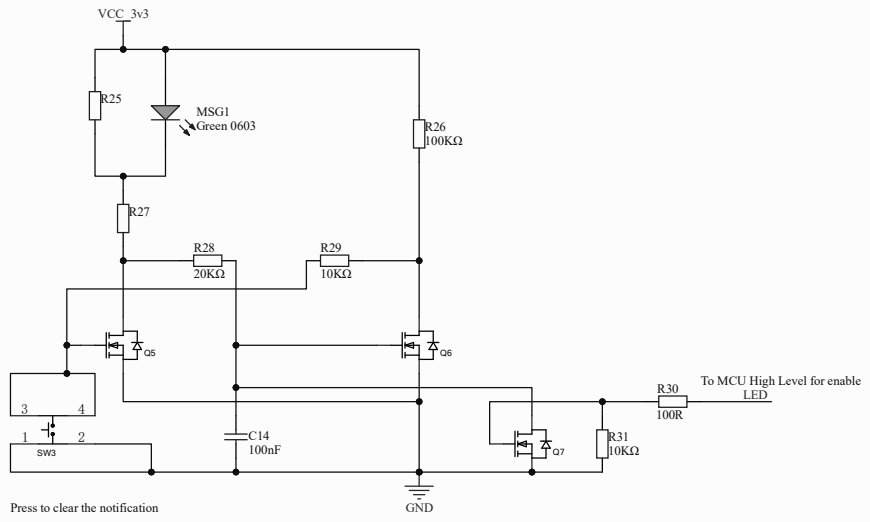


Title Power		
Size A3	Number	Revision
Date: 9/03/2023	Sheet of	
File: Z:\VMU\Power.SchDoc	Drawn By:	

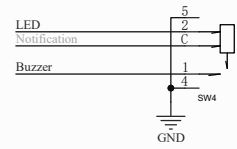
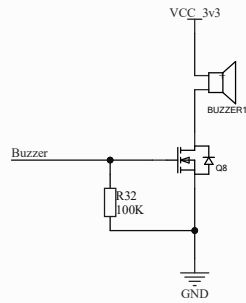


The PPS LED is functional if and only if the board is powered by the external power. (Improving the battery life)

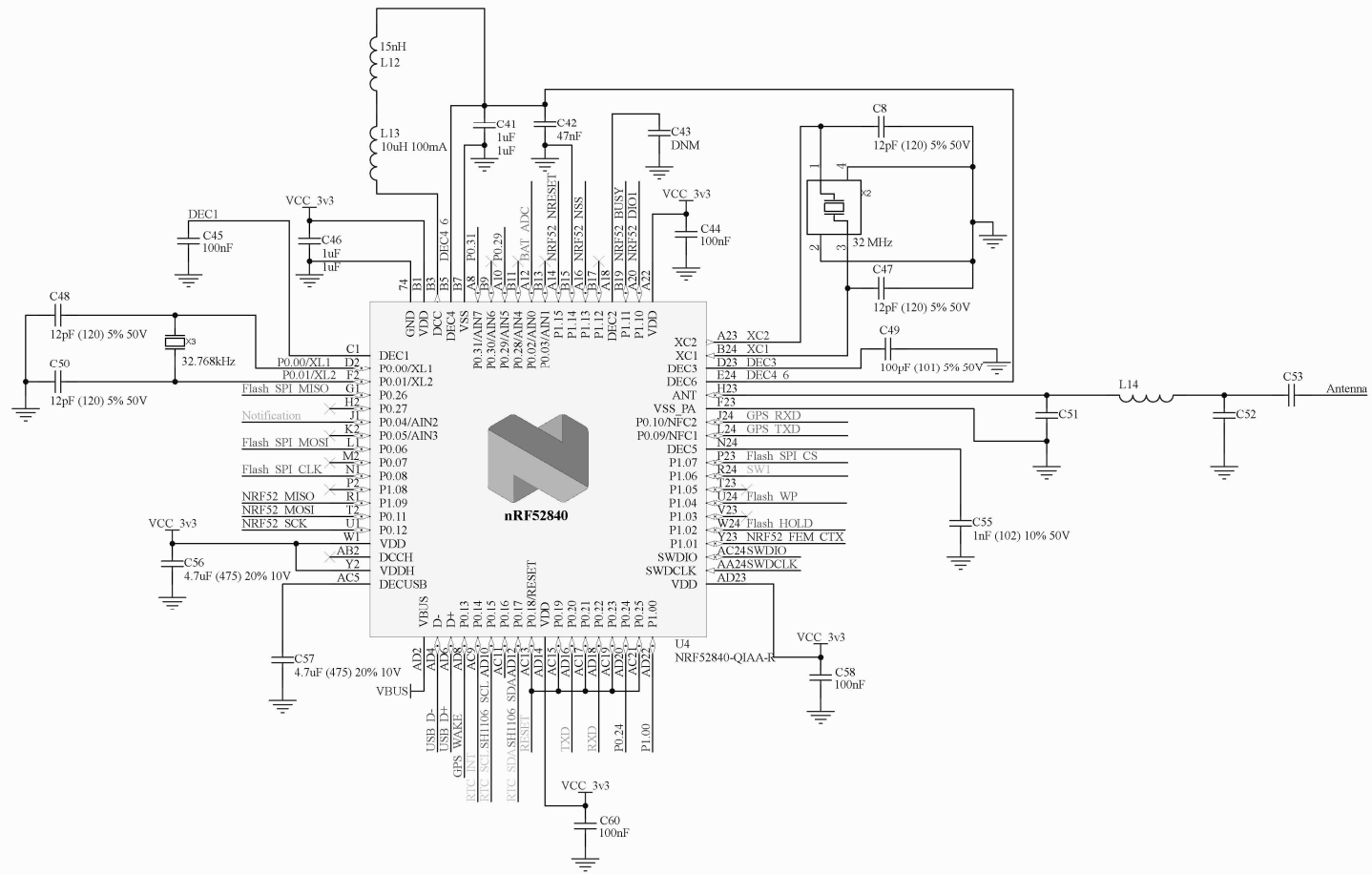
Title		
GPS		
Size	Number	Revision
A3		
Date:	9/03/2023	Sheet of
File:	Z:\VM\...GPS.SchDoc	Drawn By:



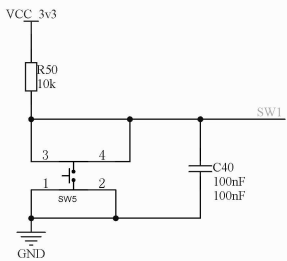
Press to clear the notification



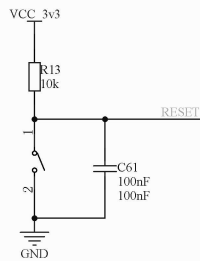
Title Notification		
Size A3	Number	Revision
Date: 9/03/2023	Sheet of	
File: Z:\VM\...\Notification.SchDoc	Drawn By:	



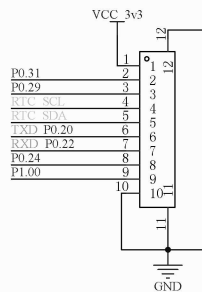
User Button



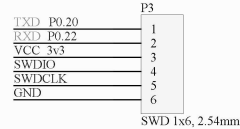
RESET



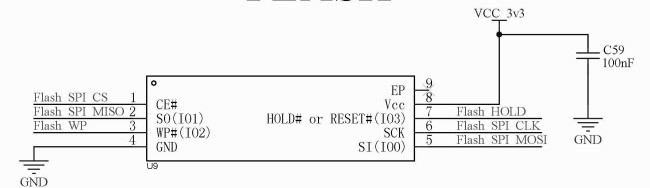
IO EXTENSION



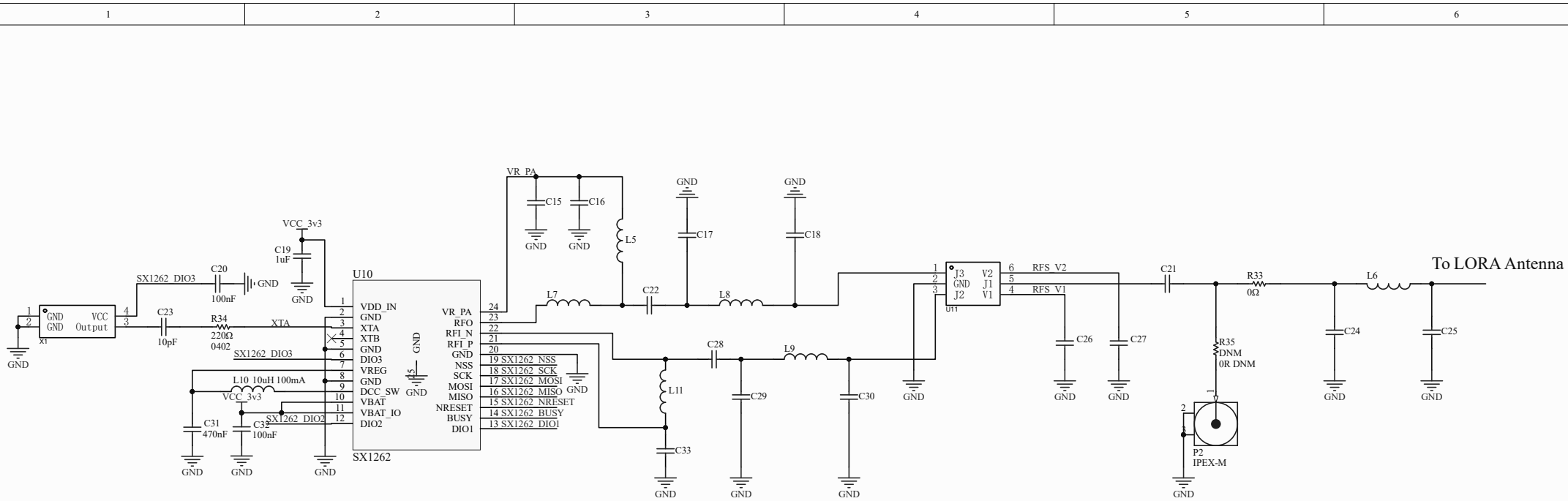
SWD



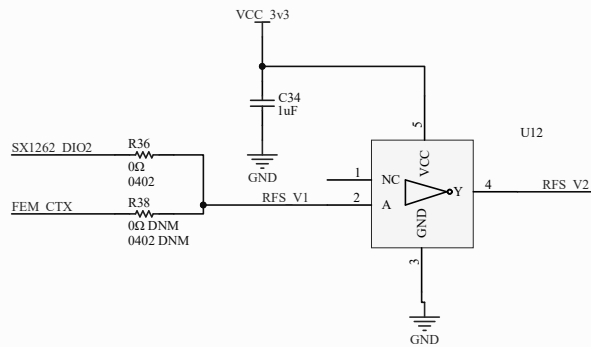
FLASH



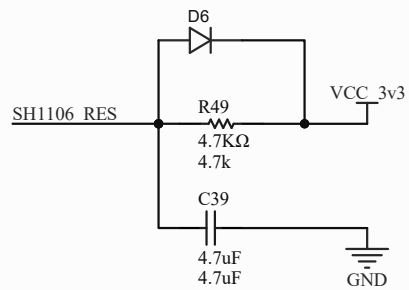
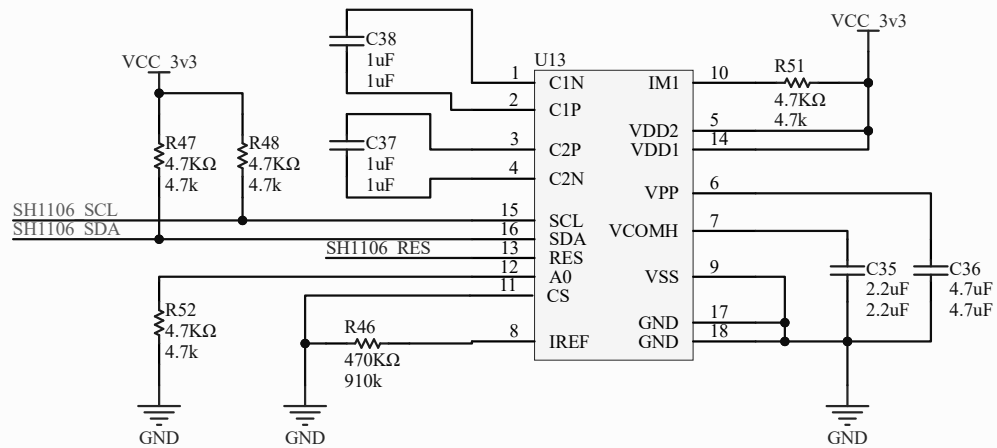
Title		NRF52840	
Size	Number	Revision	
A3			
Date:	9/03/2023	Sheet of	
File:	Z:\VMTU_NRF52840_SchDoe	Drawn By:	



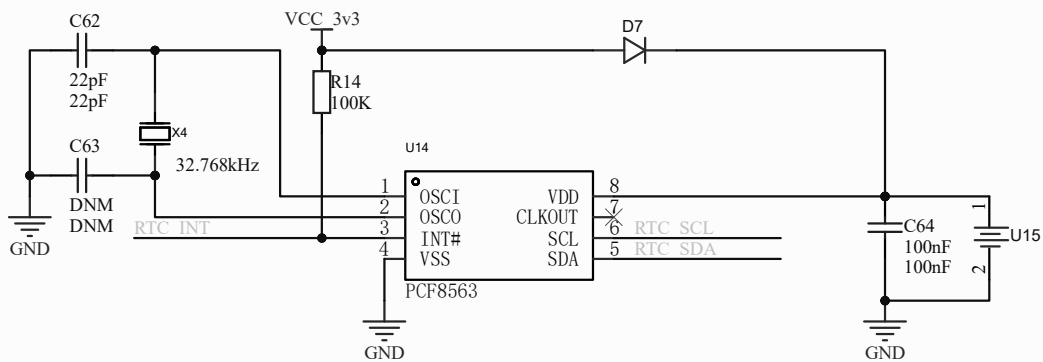
SX1262_DIO1	R37	NRF52_DIO1
SX1262_BUSY	R39	NRF52_BUSY
SX1262_NSS	R40	NRF52_NSS
SX1262_NRESET	R41	NRF52_NRESET
SX1262_SCK	R42	NRF52_SCK
SX1262_MISO	R43	NRF52_MISO
SX1262_MOSI	R44	NRF52_MOSI
FEM_CTX	R45	NRF52_FEM_CTX



Title		SX1262	
Size	Number	Revision	
B			
Date:	9/03/2023	Sheet of	
File:	Z:\VM\..SX1262.SchDoc	Drawn By:	



Title			OLED Screen		
Size	Number		Revision		
A					
Date:	9/03/2023		Sheet of		
File:	Z:\VM\...\OLED.SchDoc		Drawn By:		



Title RTC		
Size A	Number	Revision
Date: 9/03/2023	Sheet of	
File: Z:\VM\..RTC.SchDoc	Drawn By:	