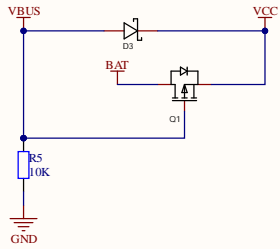
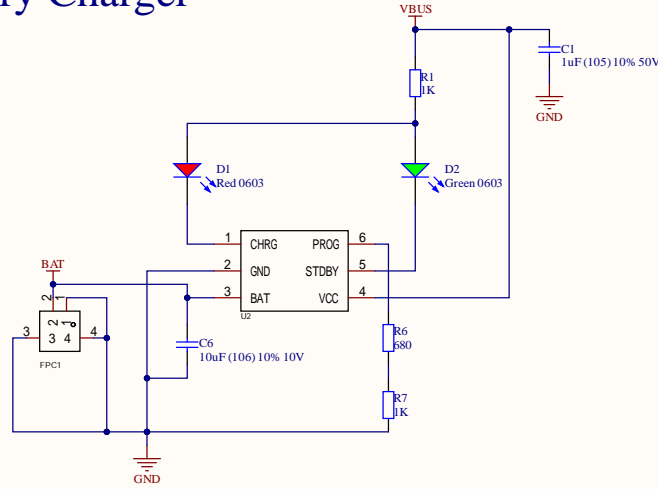


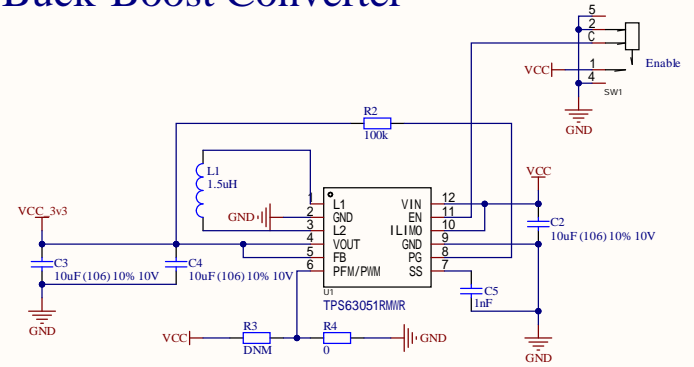
Type C / Battery Power Switching



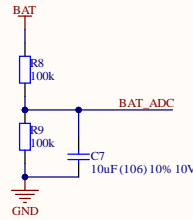
Battery Charger



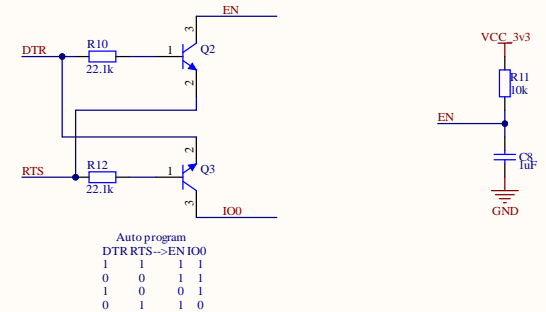
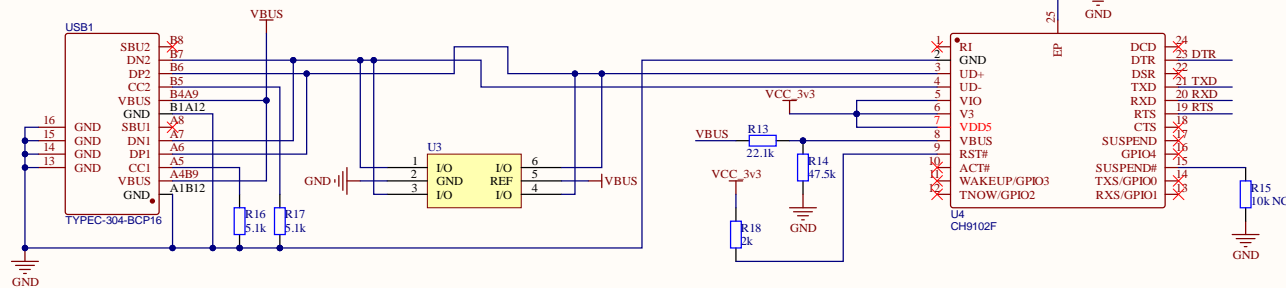
Buck-Boost Converter



Battery Gauge



USB and Flash Download Tool

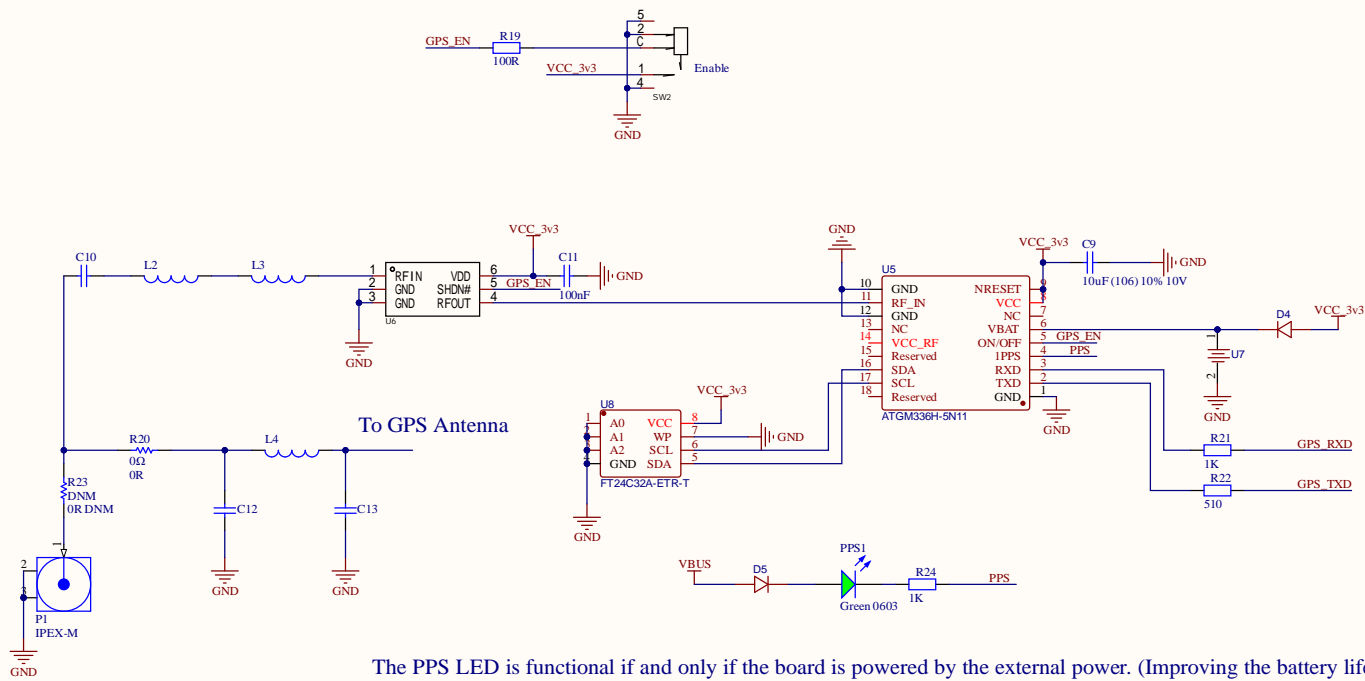


Auto program

DTR	RTS	EN	I00
1	1	1	1
0	0	1	1
1	0	0	1
0	1	1	0

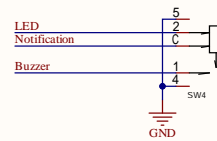
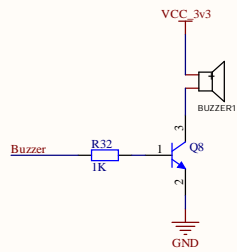
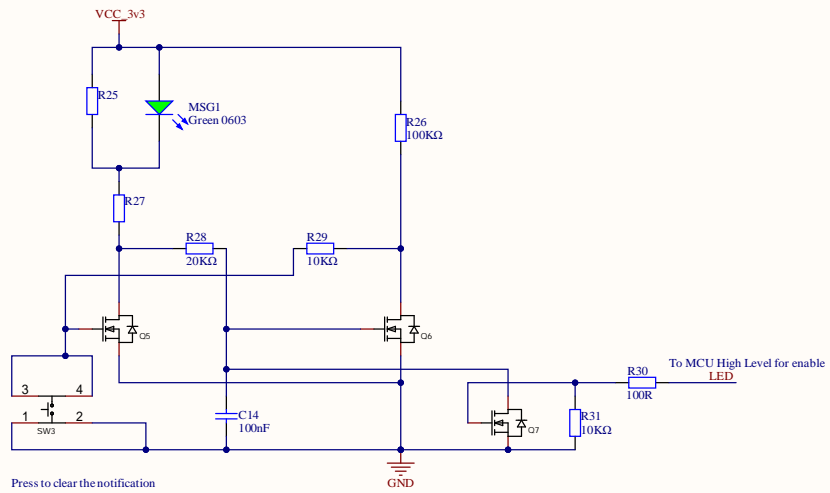
Power

Title	Power	
Size	Number	Revision
A3		
Date:	4/30/2023	Sheet of
File:	Y:\Projects\...Power.SchDoc	Drawn By:

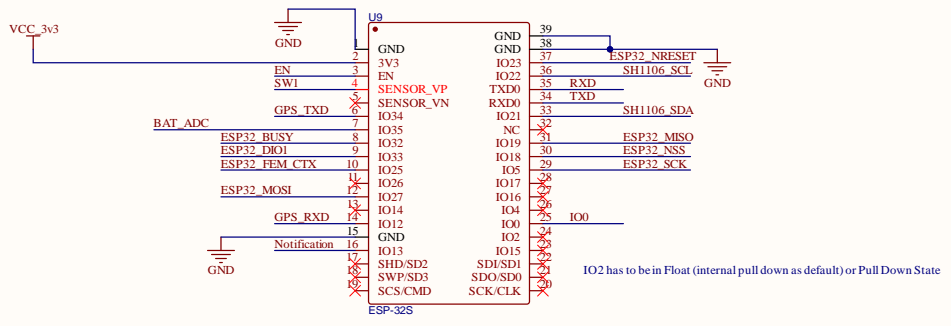


The PPS LED is functional if and only if the board is powered by the external power. (Improving the battery life)

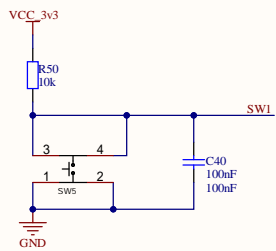
Title GPS		
Size A3	Number	Revision
Date 4/30/2023	Sheet of	
File Y:\Projects\...\GPS.SchDoc	Drawn By:	



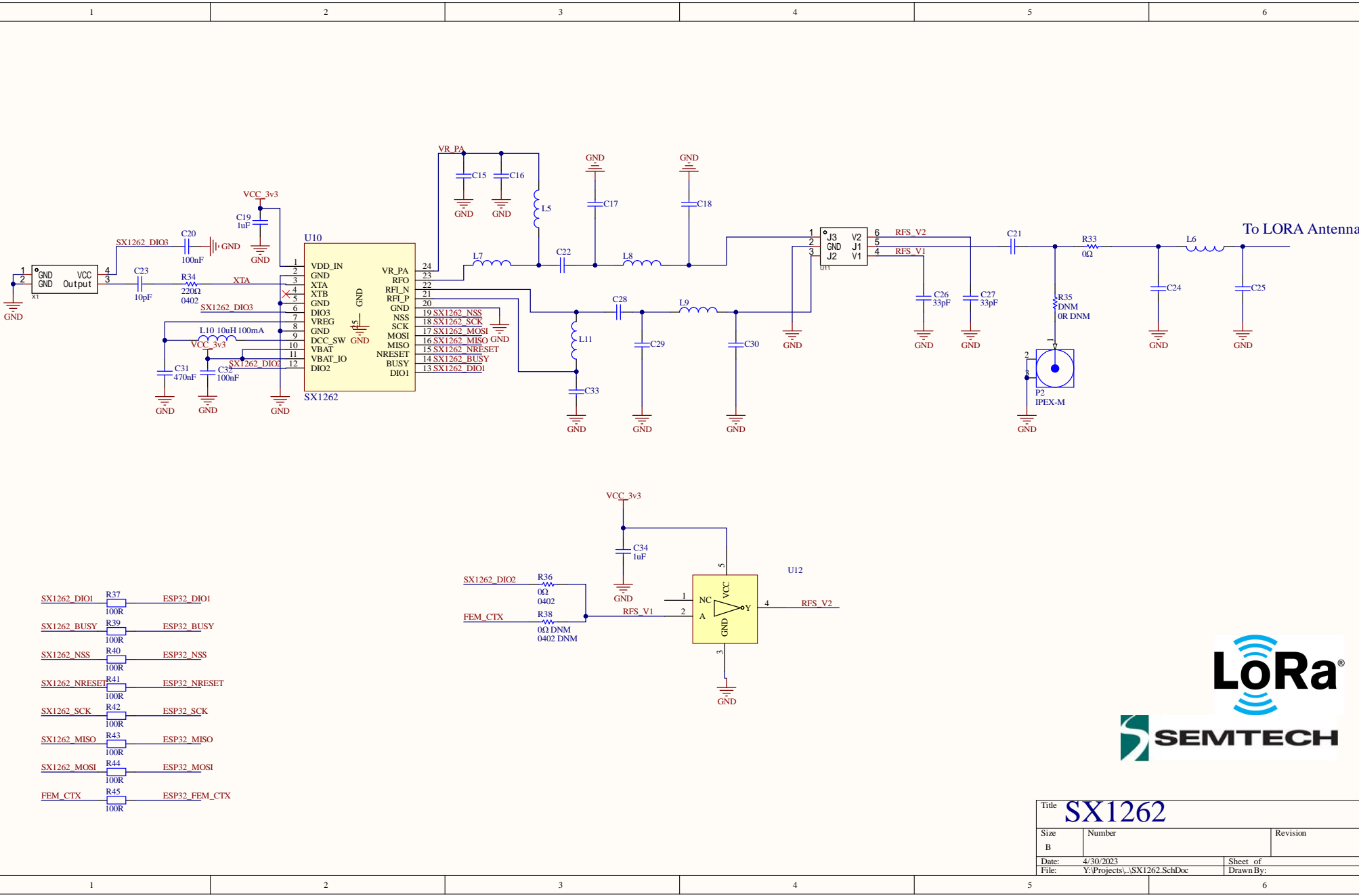
Title Notification		
Size A3	Number	Revision
Date: 4/30/2023	Sheet of	
File: Y:\Projects\...\Notification_SchDoc	Drawn By:	



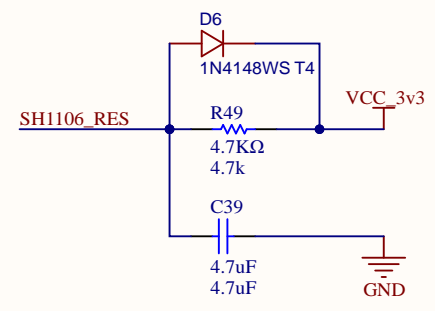
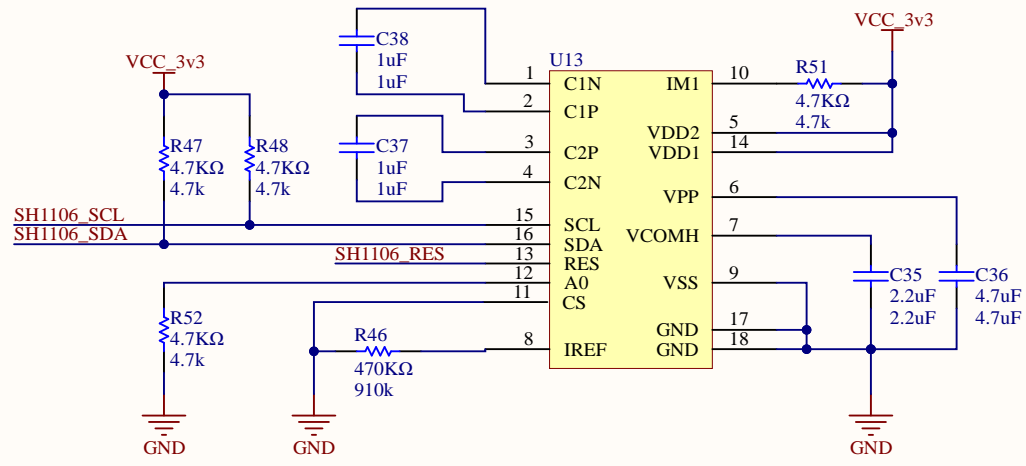
User Button



Title ESP32		
Size A3	Number	Revision
Date: 4/30/2023	Sheet of	
File: Y:\Projects\...ESP32.SchDoc	Drawn By:	



Title SX1262		
Size	Number	Revision
B		
Date:	4/30/2023	Sheet of
File:	Y:\Projects\...SX1262.SchDoc	Drawn By:



Title			OLED		
Size	Number		Revision		
A					
Date:	4/30/2023		Sheet of		
File:	Y:\Projects\...\OLED.SchDoc		Drawn By:		